

Please note that the data given here has been taken from the online catalog. For comprehensive information and data, please refer to the user documentation at <http://www.download.phoenixcontact.com>. The General Terms and Conditions of Use apply to Internet downloads.

## ► Extract from the online catalog



Bus system flush-type socket, PROFINET, 4-pos., M12, D-coded, front/screw mounting with M16 thread, with 0.5 m TPE litz wire, 4 x 0.34 mm<sup>2</sup>

Order No.	1521274
Ord designation	SACC-E-M12FSD-4CON-M16/0,5
EAN	4017918984144
Pack	1 Pcs.
Customs tariff	85369010
Weight/Piece	0.019 KG
Catalog page information	Page 27 (PC-2005)

## ► Product notes

WEEE/RoHS-compliant since: 03/21/2006



**IMPORTANT :** This date is valid for Customers in Germany only. Date Format is MM/DD/YYYY. Please contact your local in-country Phoenix Contact location or designated business partner for a Logistics Compliant date in your area. In order to guarantee delivery of RoHS-Compliant product, please purchase Phoenix Contact parts from authorized Phoenix Contact representatives and distributors.

---

## ▶ Technical data

---

---

**General data**

Nominal current $I_N$	4 A
Nominal voltage $U_N$	250 V
Number of positions	4
Volume resistance	$\leq 3 \text{ m}\Omega$
Ambient temperature (operation)	-25 °C ... 90 °C (cable, fixed installation)
Ambient temperature (operation)	-25 °C ... 85 °C (Connector)
Pg screw connection	M16 x 1.5

---

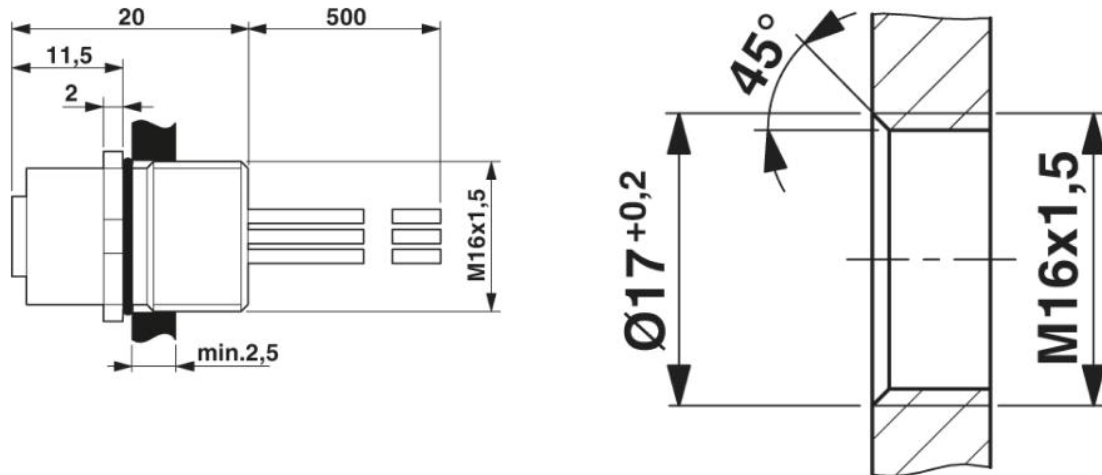
**General characteristics**

Keying	D - data
Fixed cable length	0.5 m
Cable type	TPE litz wire
Inflammability class acc. to UL 94	V0
Surge voltage category	II
Contamination class	3
Degree of protection	IP67
Material of contact	CuZn
Material of contact surface	Au
Contact carrier material	PA66 GF
Material, knurls	Zinc die-cast, (nickel-plated)
Type of connection	Individual wires
Single wire, color	Yellow, Orange, White, Blue
Conductor cross section	$0.34 \text{ mm}^2$
Volume resistance	$\leq 3 \text{ m}\Omega$
Insulation resistance	$\geq 100 \text{ M}\Omega$

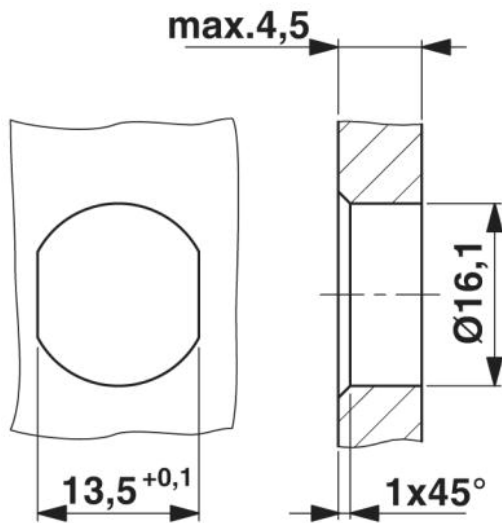
---

## ► Drawings

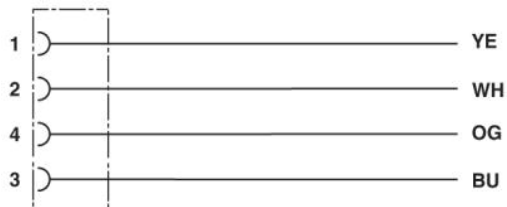
### Dimensioned drawing



M12 flush-type connector

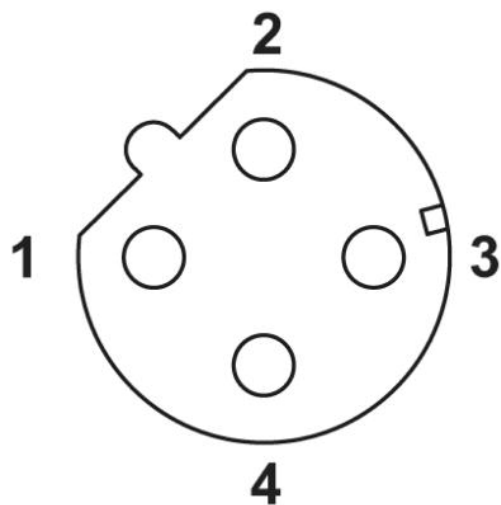


### Circuit diagram



Contact assignment of the M12 socket

### Schematic diagram



Pin assignment M12 female connector, 4-pos.,  
D-coded, female side



---

## ► Accessories

---

Item	Designation	Description
<b>Assembly</b>		
1504097	SACC-E-MU-M16	Counter nut, can be freely positioned in the housing panel, suitable for SACC-E.../M 16

---

---

## ► Address

---

PHOENIX CONTACT GmbH & Co. KG  
Flachsmarktstr. 8  
32825 Blomberg  
Germany  
Phone +49 5235 3 00  
Fax +49 5235 3 41200  
<http://www.phoenixcontact.de>  
Phoenix Contact  
Technical modifications reserved;